

Thank you for purchasing Luxier products. Please read the information below and keep this installation guide for future reference. If you require assistance, please contact our customer service department at 1-877-711-8828, Monday - Friday 9AM - 5PM Pacific Time or by email at support@luxierusa.com.

### Attention

- Please follow all local building and plumbing codes when installing this product.
- This is a general installation guideline, actual installation may vary. Consult a professional if necessary.
- Product drawings in this installation guide is for illustration purpose only. Actual product may vary depending on the model.
- Always take extra precaution and wear appropriate safety equipment when installing this product.
- Improper installation of this product will void the warranty and may cause damage to the surrounding area.
- This installation guide is subject to change without notice, please contact our customer service department to request the most updated version of this installation guide.

### Before You Begin

- Read and understand these instructions completely before installation.
- Keep the product in its package until you are ready to install.
- Make sure the installation site is clean and free of dust and debris.

### Recommended Tools and Materials

1. Plumber's Putty and Caulking	5. Pencil or Marker	9. Adjustable Wrench
2. Silicon Adhesive	6. Level	10. Pipe Wrench
3. Jig Saw / Power Tool	7. Putty Knife	11. Eye Protection
4. Drill with Drill bit	8. Tape Measure	

### Limited Two (2) Year Warranty (For USA Only)

The manufacturer warrants this product to be free of manufacture defects during daily normal household use for as long as it is owned by the original purchaser of this product. Please keep a copy of the original invoice as proof of purchase.

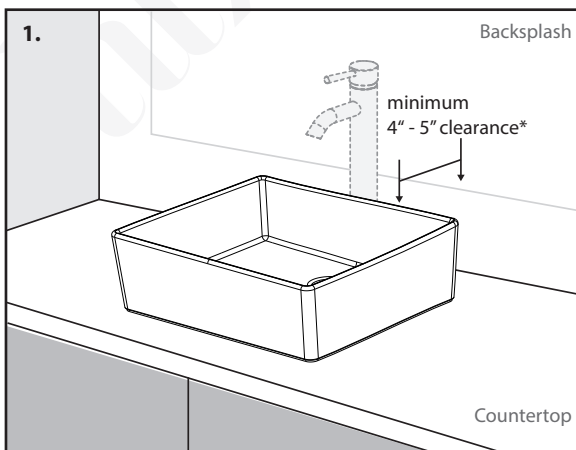
Should a malfunction occur within the warranty period, Luxier USA will, as its option, (1) repair or replace the defective part(s) or product(s) at no charge; (2) issue a refund of the original purchase price of the product(s) (Valid within 30 days from the date of purchase); or (3) issue a credit to be applied toward the purchase of a new Luxier product. Shipping/delivery charges may apply and are in Luxier USA's sole discretion.

This limited warranty shall not apply to goods which have been subject to accident, negligence, improper installation, product abuse, product misuse, or use of cleaners containing abrasives, alcohol or other organic solvents, whether performed by a contractor, service company, or yourself, are excluded from this warranty.

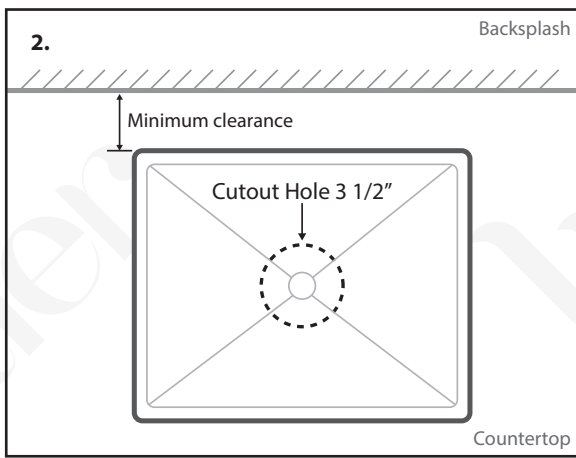
Our responsibility under this limited warranty is limited to only to replacement parts and no other costs. Luxier USA will not be responsible for labor charges and/or damage incurred by installation, repair or replacement, nor for any indirect incidental or consequential damages, losses, injury or costs of any nature relating to this product. Except as provided by law, this limited warranty is in lieu of and excludes all other warranties, conditions, and guarantees, whether expressed or implied, statutory or otherwise, including without restriction those merchantability of fitness for use.

This limited warranty is non-transferable. This limited warranty only applies to products purchased and installed in the United States. This limited warranty covers the original consumer purchase only and does not include business, commercial or industrial use of this product. To obtain service under the Limited Warranty, please contact Luxier USA at support@luxierusa.com. The Luxier USA Customer Care Department will determine whether to repair or replace your product, issue a refund, or issue a credit.

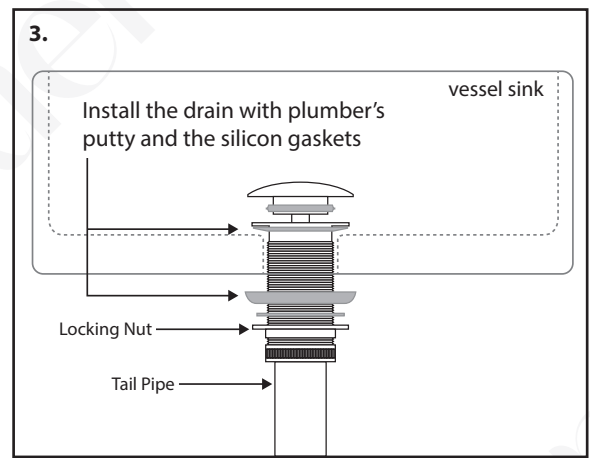
### Installation



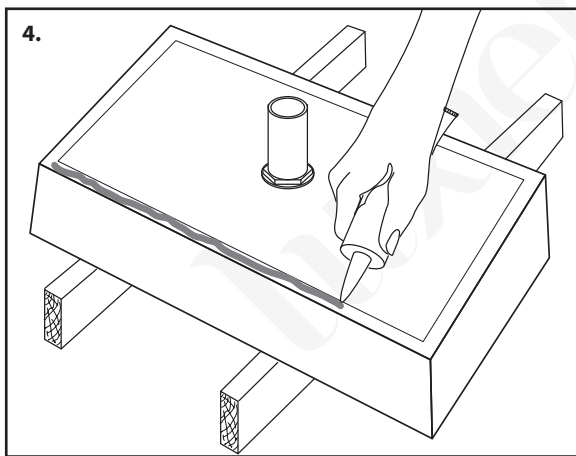
1. It is highly recommended to have all the necessary parts on the job site to determine the optimal placement prior to installation. (**\*NOTE:** Minimum clearance distance is required for vessel sinks without a faucet mounting hole)



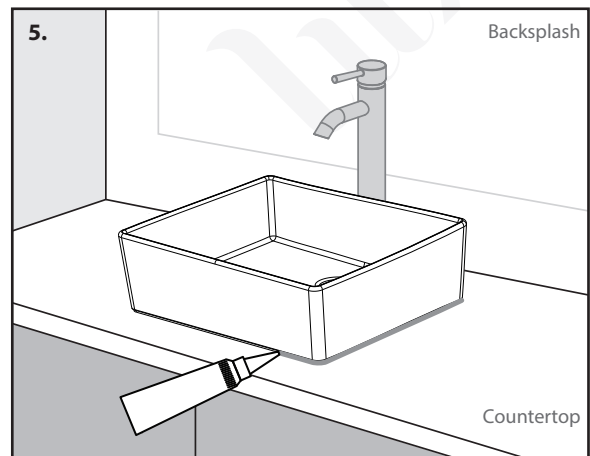
2. Once the placement has been determined. Mark the center of the drain hole and set aside the vessel sink. Draw a 3 1/2 inch diameter circle around the center of the drain hole. Use a jigsaw or a power tool to cut the opening on the mounting surface.



3. Attach the pop up drain to the ceramic sink as shown. It is recommended to use plumber's putty with the silicon gaskets to prevent any possible water leak. Make sure the drain is properly secured to the vessel sink.



4. Place the assembled vessel sink through the 3 1/2" opening on the counter top and check for level and fit. Plumber's putty can be used to level the sink. Apply silicon adhesive around the bottom rim of the sink as shown.



5. Install the sink and connect P-trap to the drain and check for alignment. Apply some caulking around the base of the sink to seal any gap between the sink and the countertop. (**\*NOTE:** After the installation is completed. Turn on the faucet and let it run for few minutes and check for leaks around the sink above and under the countertop.)

The following diagrams shows 2 typical installations with different types of pop-up drains. Vessel sinks without an overflow can only be paired with pop-up drains without overflow (see Fig. A.) Vessel sinks with overflow must use pop-up drains with overflow (Fig. B.) (**\*IMPORTANT:** Do not secure the drain to the sink and countertop at the same time. Doing so will cause water leak under the sink and damages to the surrounding area. Consult a professional installer if necessary.)

